



# RC 200/300 SS Parts List

**PRICE® PUMP CO.**

RCSS plist.doc rev. A

Key #	Description	Quantity	RC200 Part #	RC300 Part #
A.	Volute SS	1	3710-0	3712-0
B.	Pipe Plugs 1/8"	2	0559	0559
C.	Impeller Specify diameter ** SS (Hex bore)	1	3711- (specify dia.)	3713- (specify dia.)
D.	O-ring, Viton	1	3070	3070
E.	Bracket	1	0972	0972
F <sup>1</sup>	Mounting Base	1	0197	0197
F <sup>2</sup>	Volute Bolts	8	0917	0917
G <sup>1</sup>	Motor Bolts		0593	0593
	Base	2		
	No Base	4		
G <sup>2</sup>	Motor Bolts		0673	0673
	Base	2		
	No Base	0		
H.	Hex Shaft w/ setscrews 5/8" ID (56C motor)	1	3714-1	3714-1
H.	Hex Shaft w/ setscrews 7/8" ID (143TC, 145TC, 182C, 184C motor)	1	3715-1	3715-1
J.	Slinger (For 5/8" shaft pumps only)	1	0522	0522
	Seal with Seat			
K <sup>1</sup>	T.21 Fluorocarbon (std.)	1	0553	0553
K <sup>2</sup>	T.9 PTFE (optional)	1	1150	1150
K <sup>3</sup>	Double Seal/Seat (opt):			
	T.21 Fluorocarbon	2	0985	0985
	T.21 Neoprene	2	0984	0984
	T.21 EPR	2	1023	1023
	Double Seal Plate	1	0973	0973
	Plate Gasket, PTFE	1	0974	0974
	Seal Plate Cover Bolts	3	0256	0256
L.	T.21 Quench Opt (For 5/8" shaft pumps only)	1	0891	0891
	Fluorocarbon Lip Seal			
M.	Impeller Lockdown Bolt	1	0596	0596
N.	Impeller Lockdown Washer	1	2423	2423
P.	Impeller Lock Washer	2	2344	2344
Q <sup>1</sup>	Motor, Electric (For 5HP 184C or other footed motors, only use bracket.)	1	Specify P/N	Specify P/N
Q <sup>2</sup>	Power Frames			
	For use with 5/8" ID Shaft	1	5478	5478
	For use with 7/8" ID Shaft	1	5501	5501
Q <sup>3</sup>	Air Motor	1	Specify P/N	Specify P/N

**RC - Repair Parts Kit**

	For <b>56C 5/8" Hex</b> shaft	1	2206	-----
	For <b>56C 7/8" Hex</b> shaft	1	-----	2206-1

(Includes: O-ring Viton, Hexed Shaft w/ SS Slinger (5/8" shaft only), Impeller Lockdown Bolt, 2ea. Impeller Lockdown Washers)

\*\* Double seal pumps use double seal impellers, for example; P/N 3711DS - (specify dia.)

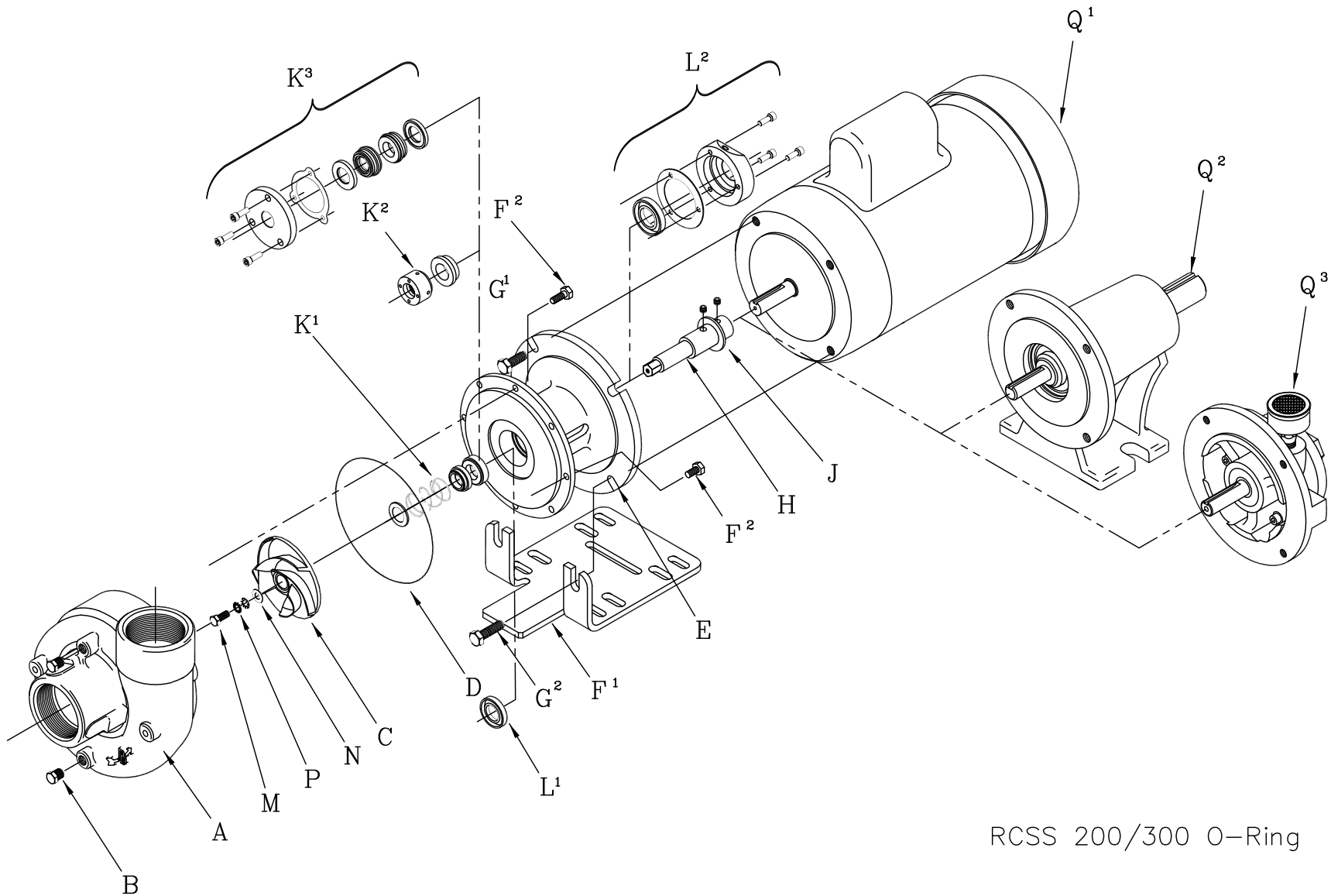
Price® Pump Co.

21775 Eighth Street East \* Sonoma, CA 95476-0329 \* (707) 938-8441 \* Fax (707) 938-0764



PRICE PUMP CO.

RCSS\_P.dwg rev. A



RCSS 200/300 O-Ring

Price® Pump Co.

21775 Eighth Street East \* Sonoma, CA 95476-0329 \* (707) 938-8441 \* Fax (707) 938-0764